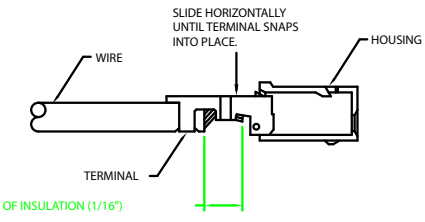
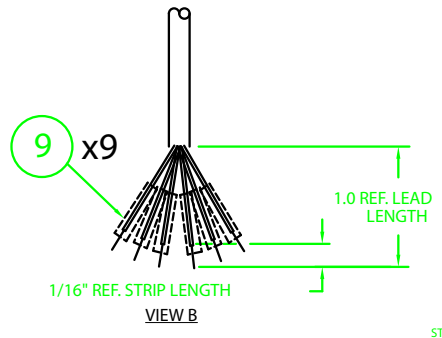
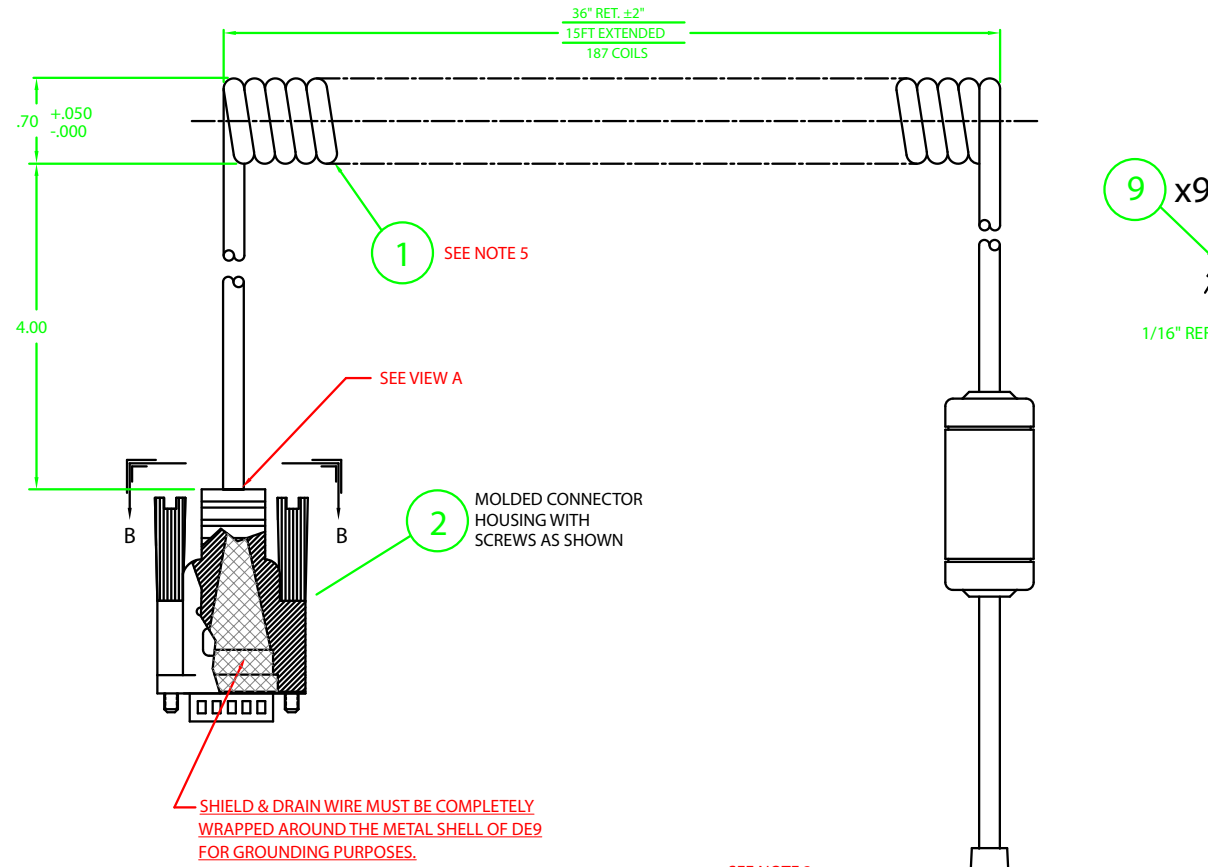
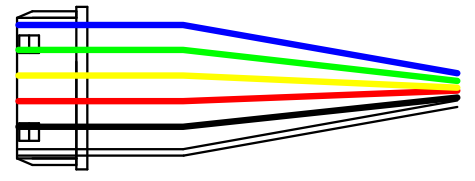


REVISIONS				
LTR	BY	DESCRIPTION	DATE	APPROVED
B	VT	CORRECTED TEST PLUG CONFIGURATION.	4-26-01	VT
A.1	VT	CHANGED REVISION LEVEL FROM B TO A.1.	10-15-01	VT
C	VT	SPECIFIED ITEM 1 CABLE 14164 TO BE USED AS BASE CABLE. CHANGED AMP HEADER TO MOLEX HEADER.	11-8-04	VT
D	MT	CHANGED TITLE TO SPECIFY 15FT CABLE. WAS 7FT.	11-20-07	MT

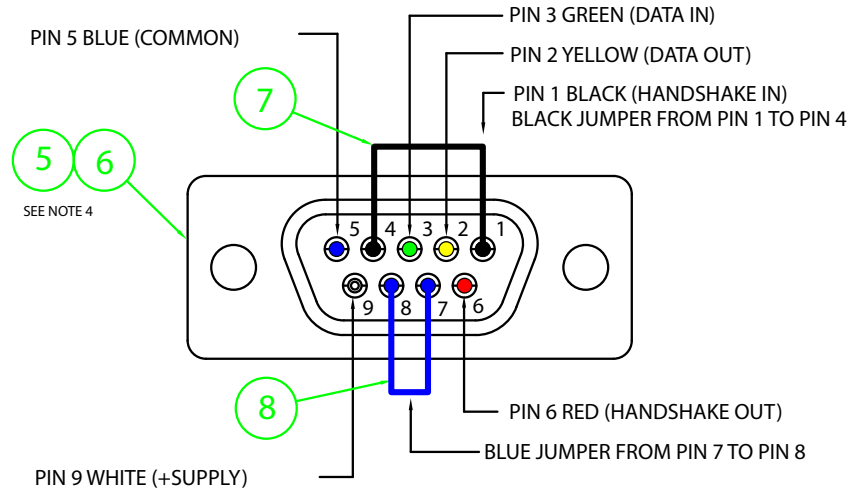
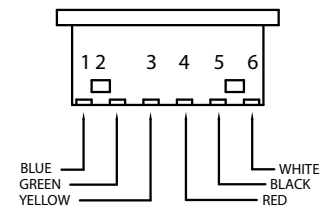


- PIN 1 BLUE (COMMON)
- PIN 2 GREEN (RX(+TXD))
- PIN 3 YELLOW (TXD(+RXD))
- PIN 4 RED (DFR(+TXD))
- PIN 5 BLACK (DSR(+RXD))
- PIN 6 WHITE (+ SUPPLY)

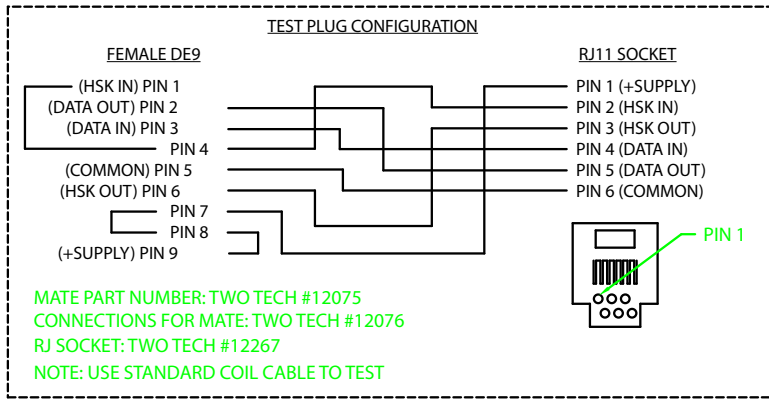


CUT DRAIN WIRE FLUSH WITH CABLE JACKET

VIEW AA SCALE:5X
VIEWED FROM FRONT OF CONNECTOR



VIEW AA SCALE: 3.5X
VIEWED FROM BACK OF CONNECTOR



NOTES:

1. DRAWING MUST BE PLOTTED IN COLOR
2. USE MOLEX CRIMP DIE NO. 11-40-2245 TO BE USED WITH MOLEX PRESS TW42, OR HAND TOOL 57177-5000 TO CRIMP TERMINAL TO WIRE.
3. BOTH GROMMET & DE9 HOUSING MUST PASS PULL TEST OF 43LBS @ 1 MINUTE.
4. STRIP WIRE INSULATION 1/16".
5. CABLE MUST PASS ELECTRICAL TEST PRIOR TO SHIPPING.

SEE NOTE 2

